

SERVICE MANUAL

651727

ALSO INCLUDE (FORM 975-2) 125241-010 FILTER, 127241-011
REGULATOR, 126241-010 LUBRICATOR

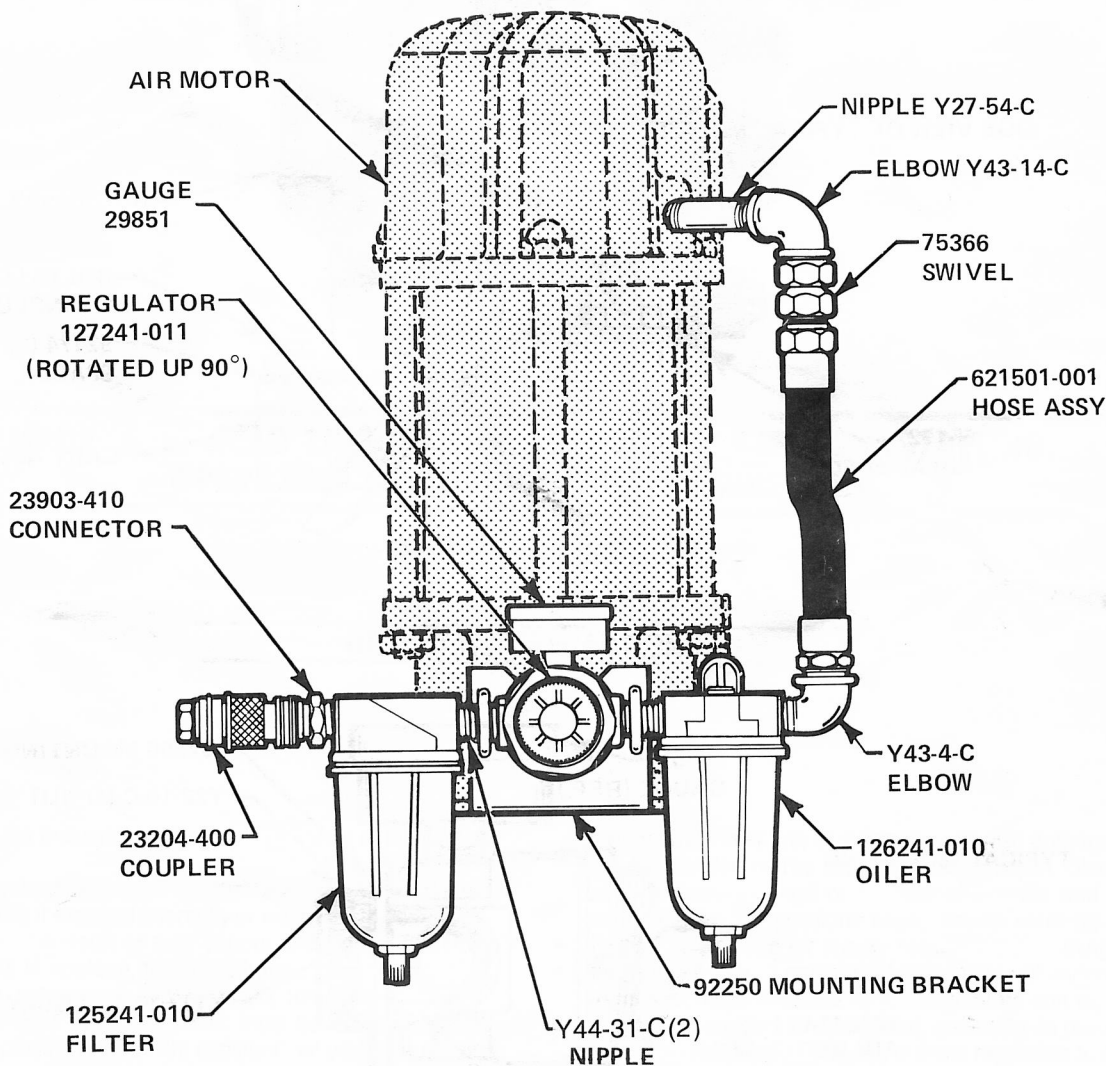
RELEASED: 12-28-67

REVISED: 8-23-84

IPP



651727 AIR MANIFOLD ASS'Y.



INSTALLATION

FIGURE 1

1. Remove the (4) Bolts, (4) Nuts, and (4) Washers on the Base of the Air Motor. (See Figure 2)
2. Lift the Pump Ass'y. enough to allow positioning of 92250 Bracket and 92174 (2) Spacers. (See Fig. 1 and 2).

NOTICE

READ THIS MANUAL CAREFULLY BEFORE OPERATING THE EQUIPMENT

PRINTED IN USA

FLUID HANDLING EQUIPMENT
THE ARO CORPORATION

ONE ARO CENTER, BRYAN, OHIO 43506
PHONE - 419-636-4242



MODEL 651727